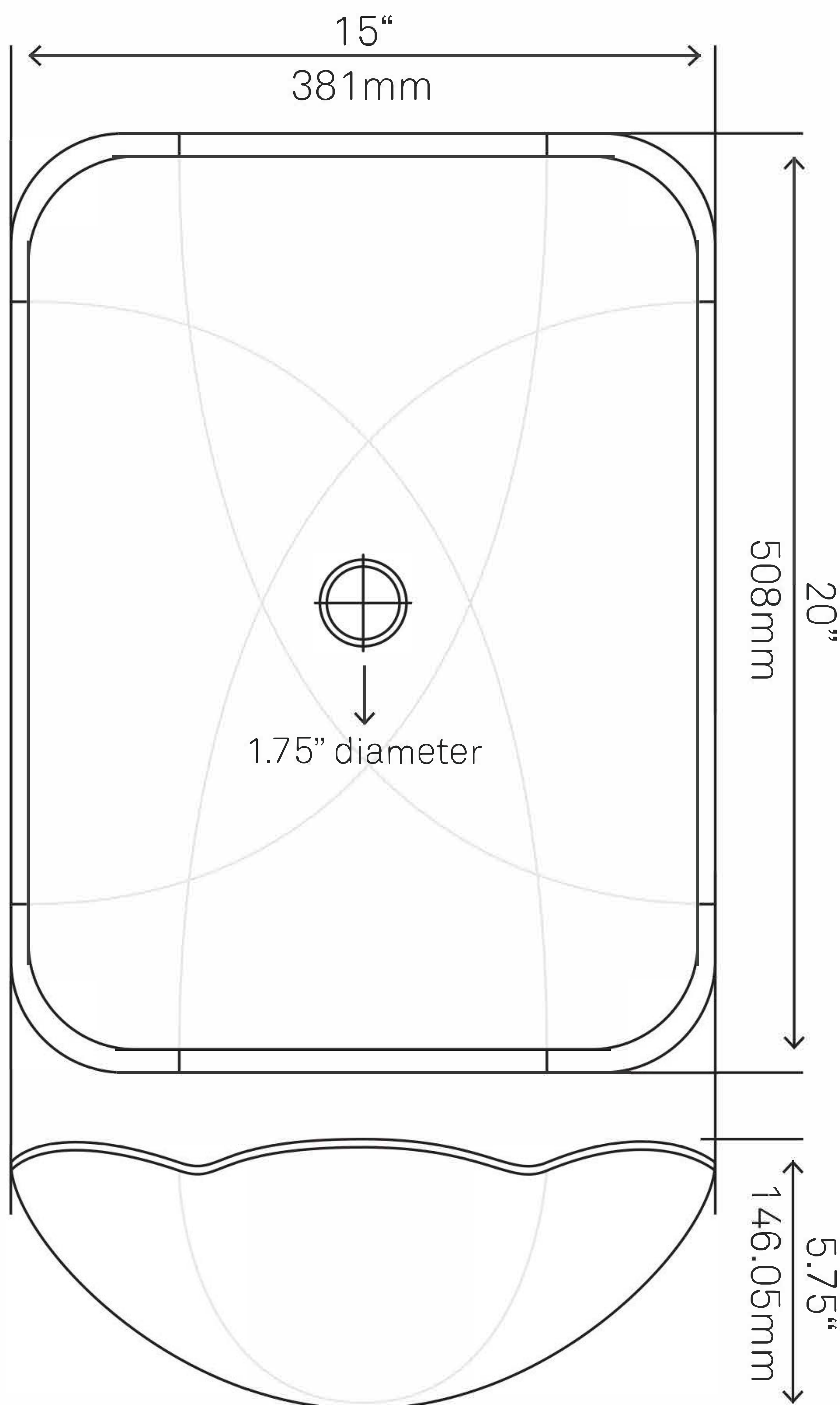




TIS-317C ELEGANTE Glass Vessel Bathroom Sink

Requested By:

Specific Features:



STANDARD SPECIFICATIONS:

- Oblong fluted clear glass vessel
- Made with high tempered glass
- Scratch resistant and non-porous
- Designed for above counter installation
- Standard U.S. plumbing connections
- 1.75-inch drain opening

WARRANTY:

Limited lifetime warranty

- See www.Novatto.com for details

COORDINATING ACCESSORIES:

- PUD-BN/CH/ORB/MB/GM pop-up drain
- MR-001BN/CH/ORB/MB/GM
- Glacier Ice Restoration and Sealer kit

NOTES



Novatto reserves the right (1) to make changes in specifications and materials, and (2) to change or discontinue models, both without notice or obligation. Dimensions are for reference only, see www.Novatto.com for finish options and product availability.

Novatto Inc
TOLL FREE 844.404.4242
www.Novatto.com



**GF-136BN ECLIPSE
Single Lever Vessel Faucet**

Requested By: _____

Specific Features: _____

STANDARD SPECIFICATIONS:

- Brushed nickel finish
- Single handle control
- Solid brass construction
- High pressure ceramic cartridge
- Single hole deck mount installation
- 1.5-inch diameter hole required
- Spout reach: 3.75-inches
- Spout height: 8-inches
- cUPC and AB1953 low lead compliant
- ASME A112.18.1-1-2011/CSA B125.1-11
- NSF 61 and NSF 372 certified
- EPA WaterSense® available

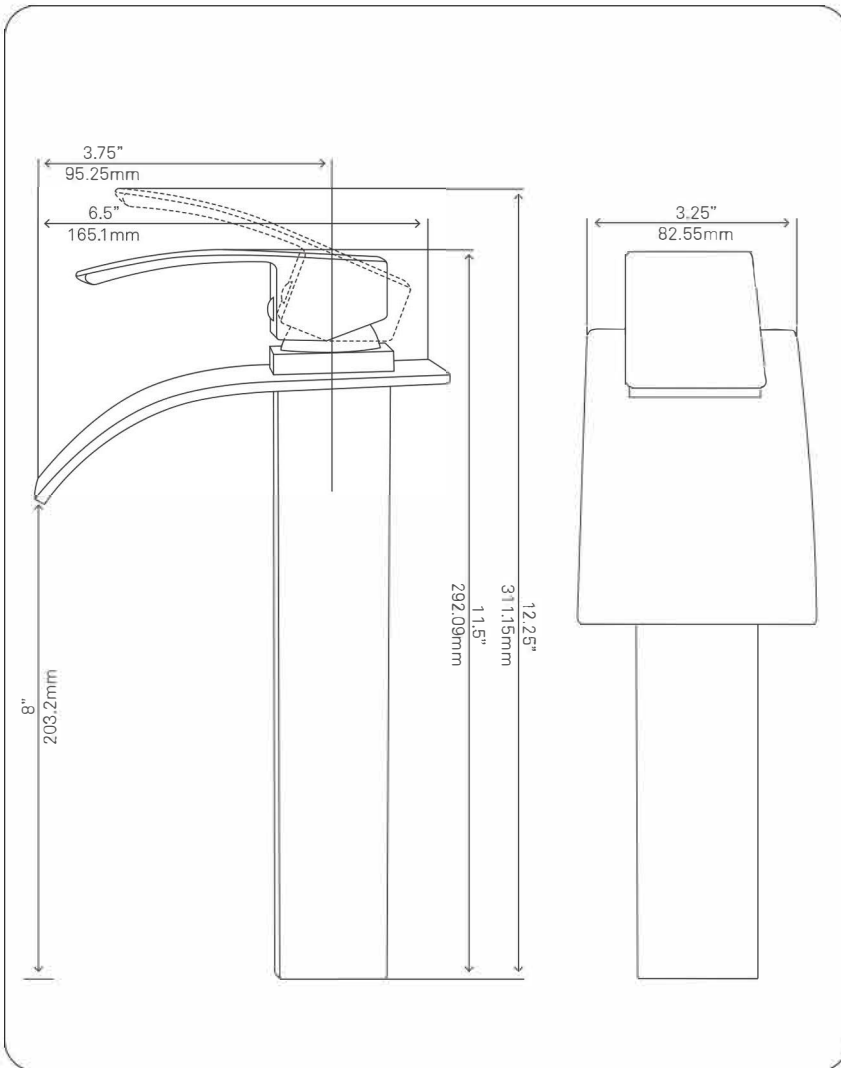
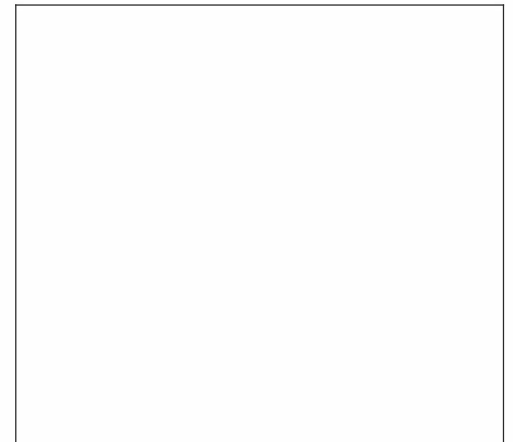
WARRANTY:

Limited lifetime warranty
• See www.Novatto.com for details

COORDINATING ACCESSORIES:

- PUD-BN pop-up drain
- MR-001BN mounting ring
- Glacier Ice Restoration and Sealer kit

NOTES



Novatto reserves the right (1) to make changes in specifications and materials, and (2) to change or discontinue models, both without notice or obligation. Dimensions are for reference only, see www.Novatto.com for finish options and product availability.

Novatto Inc
TOLL FREE 844.404.4242
www.Novatto.com



PUD-BN-MR Vessel Sink Pop-Up Drain and Mounting Ring, Brushed Nickel

Requested By: _____

Specific Features: _____

STANDARD SPECIFICATIONS:

- Clicker pop-up vessel sink drain and mounting ring
- Brushed nickel finish
- Solid brass construction
- Includes rubber seals and fastener for installation
- 9-inches total pop-up length
- Fits any standard 1.75-inch drain opening
- Tailpipe dia. 1.25-inches
- Drain flange 2.375-inches
- Mounting ring inside hole diam 1.625-inches
- cUPC

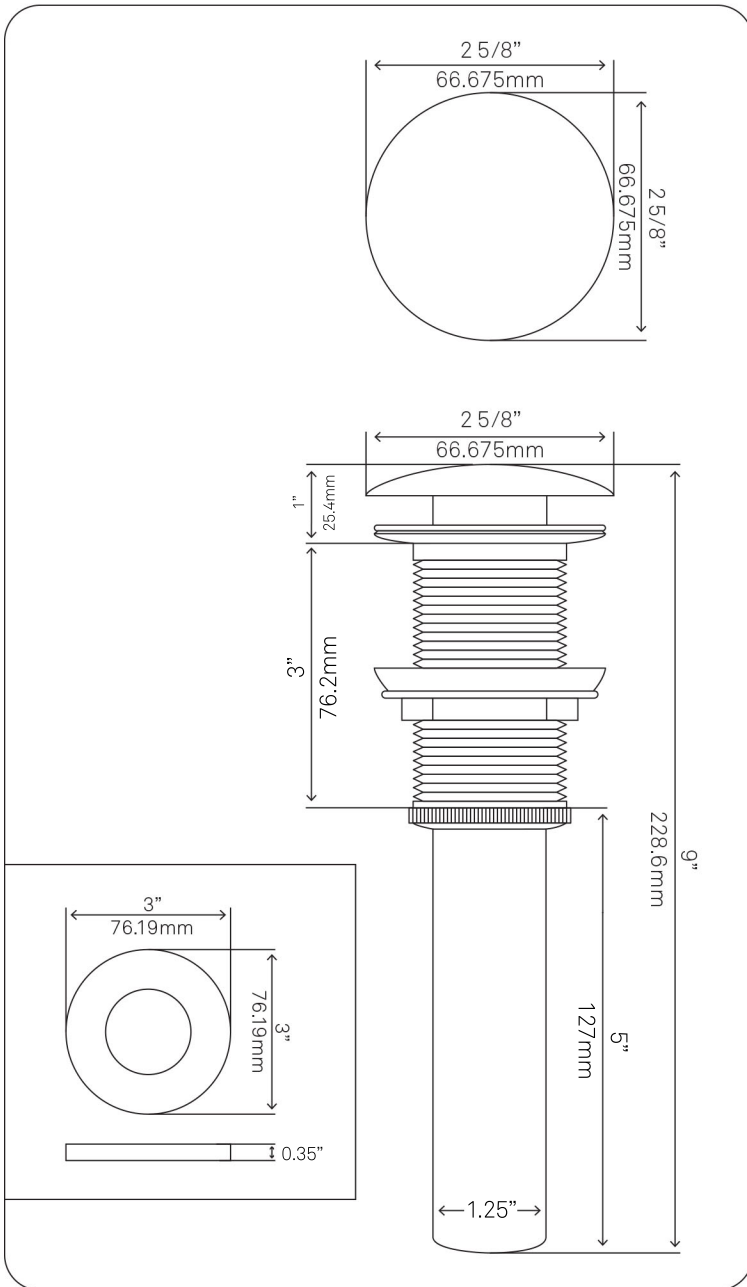
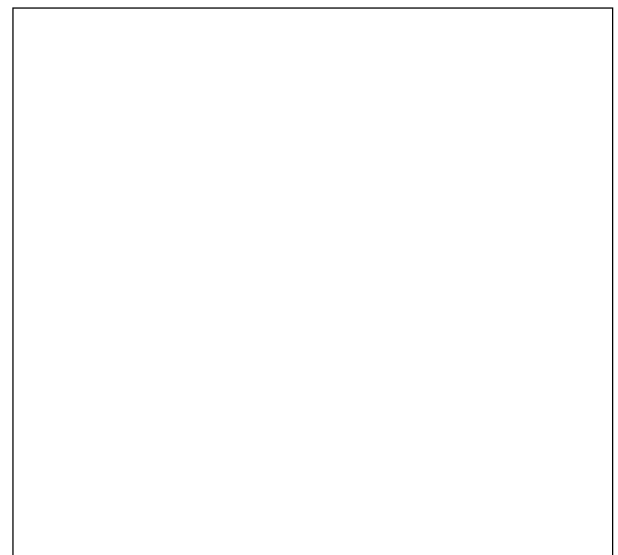
WARRANTY:

- Limited lifetime warranty
- See www.Novatto.com for details

COORDINATING ACCESSORIES:

- Glacier Ice Restoration and Sealer kit

NOTES



Novatto reserves the right (1) to make changes in specifications and materials, and (2) to change or discontinue models, both without notice or obligation. Dimensions are for reference only, see www.Novatto.com for finish options and product availability.

Novatto Inc
TOLL FREE 844.404.4242
www.Novatto.com